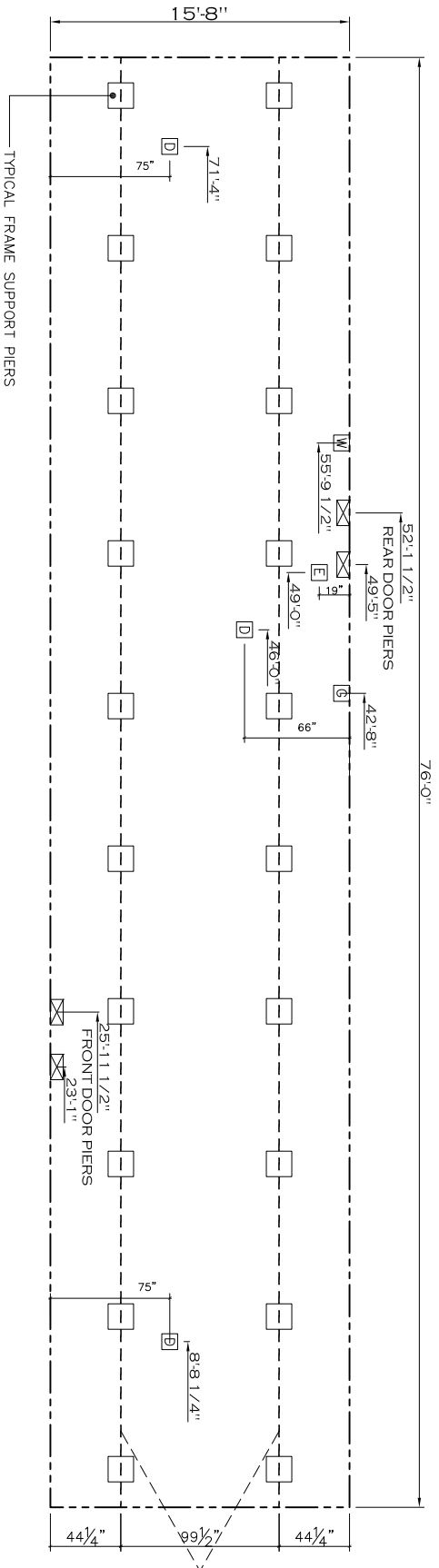


20 lb ROOF LOAD SIDEWALL OPENING PIER LOAD 16' BOX WIDTH	SIDEWALL OPENING (FT)					
	3	4	5	6	8	10
	1244	1413	1581	1750	2088	2425

\*FOR 30 lb & 40 lb ROOF LOAD REFER TO TABLES 7 & 7a IN THE INSTALLATION MANUAL.



- NOTES:
- REFER TO TABLES 6 AND 6a IN THE INSTALLATION MANUAL FOR LOAD ON FRAME PIER FOOTINGS FOR HOMES THAT DO NOT REQUIRE PERMETER BLOCKING. REFER TO TABLES 7 AND 7a IN THE INSTALLATION MANUAL FOR LOAD ON FRAME PIER FOOTINGS FOR HOMES THAT REQUIRE PERMETER BLOCKING. REFER TO TABLES 10 AND 10a TO DETERMINE FOOTING SIZE FOR ALL PIERS.

PIER LEGEND	
	= PIER MAIN BEAM
	= PIER PERMETER
	= PIER PORCH/RECESSED ENTRY

- REFER TO TABLE 9 FOR PIER CONFIGURATION AND MAXIMUM ALLOWABLE HEIGHTS. CROSS REFERENCE THE PIER HEIGHT LISTED IN THE FRAME TIE-DOWN CHARTS (TABLE 18, 19, AND 20).

- THE MAXIMUM SPACING FOR 8" I-BEAMS IS 8 FEET, 10" & 12" I-BEAMS IS 10 FEET.

- SERVICE DROP LOCATIONS IDENTIFIED ARE APPROXIMATE.

- FLOOR WIDTH SHOWN IS FOR STANDARD PRODUCT ONLY. CONTACT THE MFG FACILITY FOR SPECIFICATIONS OF OPTIONS ORDERED.

**SERVICE DROP LEGEND**

	= ELECTRICAL DROP
	= WATER INLET
	= DWV PLUMBING DROP
	= GAS INLET

N/A SQ.FT. (W/OPT. PORCH/RECESS "CONDITIONED")  
1,191 SQ.FT. (STD PLAN "CONDITIONED")

Product Designers: Alex Whitley		Model #: YFS1 67G3L		Drawing #:	
<b>CMH</b> MANUFACTURING		Date: 6.1.3		Scale: N.T.S.	
<b>FRAME PIERS</b>		16' x 76' Yes Dynasty		355306	