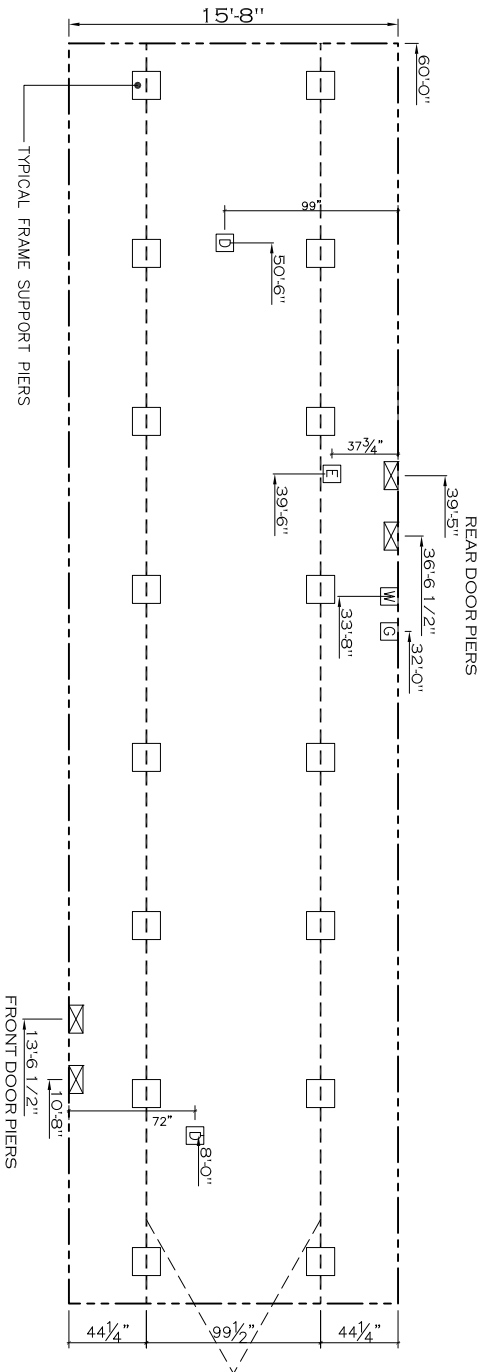


| 20 lb ROOF LOAD | | SIDEWALL OPENING (FT) | | | | | |
|----------------------------|--|--------------------------|------|------|------|------|------|
| SIDEWALL OPENING PIER LOAD | | REQUIRED PIER LOAD (LBS) | | | | | |
| 16" BOX WIDTH | | 3 | 4 | 5 | 6 | 8 | 10 |
| | | 1244 | 1413 | 1581 | 1750 | 2088 | 2425 |

*FOR 30 lb & 40 lb ROOF LOAD REFER TO TABLES 7 & 7d IN THE INSTALLATION MANUAL.



| PIER LEGEND | |
|-------------|-----------------------------|
| | = PIER MAIN BEAM |
| | = PIER PERIMETER |
| | = PIER PORCH/RECESSED ENTRY |

| SERVICE DROP LEGEND | |
|---------------------|---------------------|
| | = ELECTRICAL DROP |
| | = WATER INLET |
| | = DWV PLUMBING DROP |
| | = GAS INLET |

- NOTES:
- REFER TO TABLES 6 AND 6a IN THE INSTALLATION MANUAL FOR LOAD ON FRAME PIER FOOTINGS FOR HOMES THAT DO NOT REQUIRE PERIMETER BLOCKING. REFER TO TABLES 7 AND 7a IN THE INSTALLATION MANUAL FOR LOAD ON FRAME PIER FOOTINGS FOR HOMES THAT REQUIRE PERIMETER BLOCKING. REFER TO TABLES 10 AND 10a TO DETERMINE FOOTING SIZE FOR ALL PIERS.
 - REFER TO TABLE 9 FOR PIER CONFIGURATION AND MAXIMUM ALLOWABLE HEIGHTS. CROSS REFERENCE THE PIER HEIGHT WITH THE MAXIMUM ALLOWABLE FLOOR HEIGHT LISTED IN THE FRAME TIEDOWN CHARTS (TABLE 18, 19, AND 20).
 - THE MAXIMUM SPACING FOR 8" I-BEAMS IS 8 FEET, 10" & 12" I-BEAMS IS 10 FEET.
 - SERVICE DROP LOCATIONS IDENTIFIED ARE APPROXIMATE.
 - FLOOR WIDTH SHOWN IS FOR STANDARD PRODUCT ONLY. CONTACT THE MFG FACILITY FOR SPECIFICATIONS OF OPTIONS ORDERED.

940 SQ.FT. (STD PLAN "CONDITIONED")

| | | | |
|---|--|--|------------------------------|
| CMH MANUFACTURING | | Model #: XTMI 16022X Date: 4/30/15 Scale: N.T.S. | Drawing #: 355363 |
| Product Designer: Alex Whaley FRAME PIERS | | IGXGO extreme | BCR-334397 3.8.16 ACM |