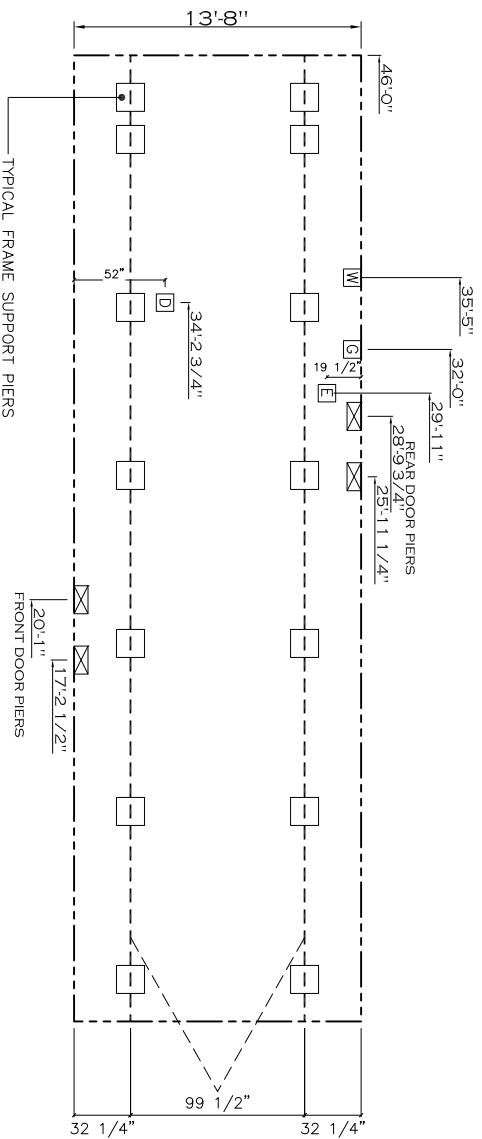


- NOTES:
- REFER TO TABLES 6 AND 6a IN THE INSTALLATION MANUAL FOR LOAD ON FRAME PIER FOOTINGS FOR HOMES THAT DO NOT REQUIRE PERIMETER BLOCKING. REFER TO TABLES 7 AND 7a IN THE INSTALLATION MANUAL FOR LOAD ON FRAME PIER FOOTINGS FOR HOMES THAT REQUIRE PERIMETER BLOCKING. REFER TO TABLES 10 AND 10a TO DETERMINE FOOTING SIZE FOR ALL PIERS.
  - REFER TO TABLE 9 FOR PIER CONFIGURATION AND MAXIMUM ALLOWABLE HEIGHTS. CROSS REFERENCE THE PIER HEIGHT WITH THE MAXIMUM ALLOWABLE FLOOR HEIGHT LISTED IN THE FRAME TIEDOWN CHARTS (TABLE 18, 19, AND 20).
  - THE MAXIMUM SPACING FOR 8" I-BEAMS IS 8 FEET, 10" & 12" I-BEAMS IS 10 FEET.
  - SERVICE DROP LOCATIONS IDENTIFIED ARE APPROXIMATE.
  - FLOOR WIDTH SHOWN IS FOR STANDARD PRODUCT ONLY. CONTACT THE MFG FACILITY FOR SPECIFICATIONS OF OPTIONS ORDERED.



**PIER LEGEND**

- = PIER MAIN BEAM
- ⊗ = PIER PERIMETER
- ⊙ = PIER PORCH/RECESSD ENTRY

**SERVICE DROP LEGEND**

- E = ELECTRICAL DROP
- W = WATER INLET
- D = DWV PLUMBING DROP
- G = GAS INLET

20 lb ROOF LOAD SIDEWALL OPENING PIER LOAD 14' BOX WIDTH	SIDEWALL OPENING (FT) REQUIRED PIER LOAD (LBS)					
	3	4	5	6	8	10
	1175	1330	1485	1640	1950	2260

\*FOR 30 lb & 40 lb ROOF LOAD REFER TO TABLES 7 & 7a IN THE INSTALLATION MANUAL.

629 SQ.FT. (STD PLAN "CONDITIONED")  
N/A SQ.FT. (W/OPT. PORCH/RECESS "CONDITIONED")

Product Designer: Alex Whaley	Model # XTM14462A	Drawing # 355300
GMH MANUFACTURING	Date: 10.4.13	Scale: N.T.S.
14x46 Extreme		

**FRAME PIERS**